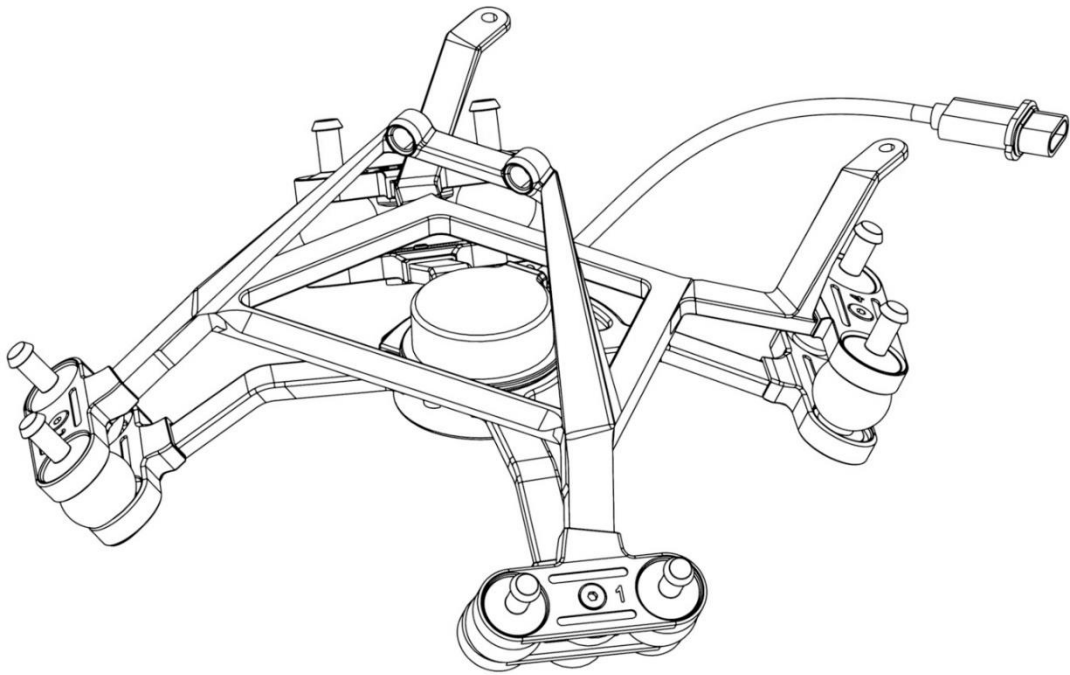




DAMPING ASSEMBLY GUIDE

FOR PIXY WS & GPORT

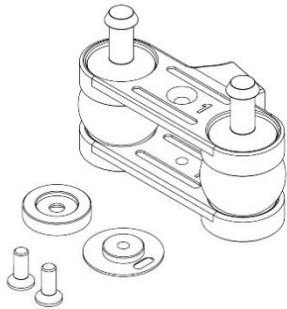
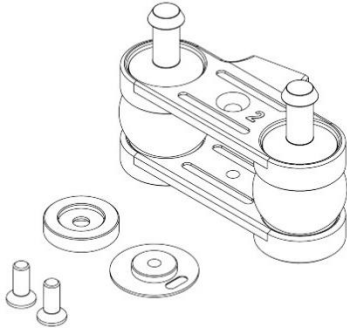
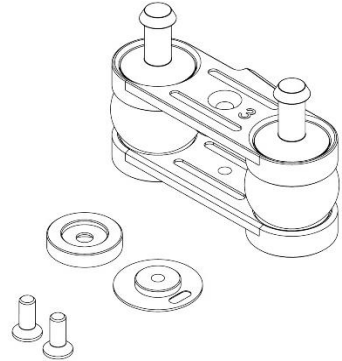
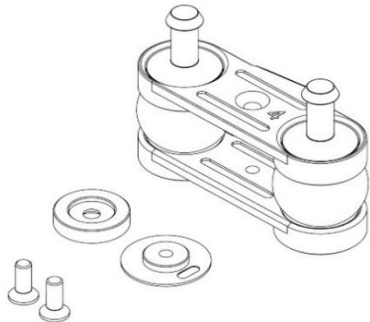




***Components required:**

- DJI - Standard damping on M300 RTK
- Gremsy - Damping extension for Pixy WS

***What's in the box of the damping extension?**

<p>Adapter bundle 1</p>	
<p>Adapter bundle 2</p>	
<p>Adapter bundle 3</p>	
<p>Adapter bundle 4</p>	





ASSEMBLY INSTRUCTIONS

STEP 1: Separate the standard damping from the M300 RTK

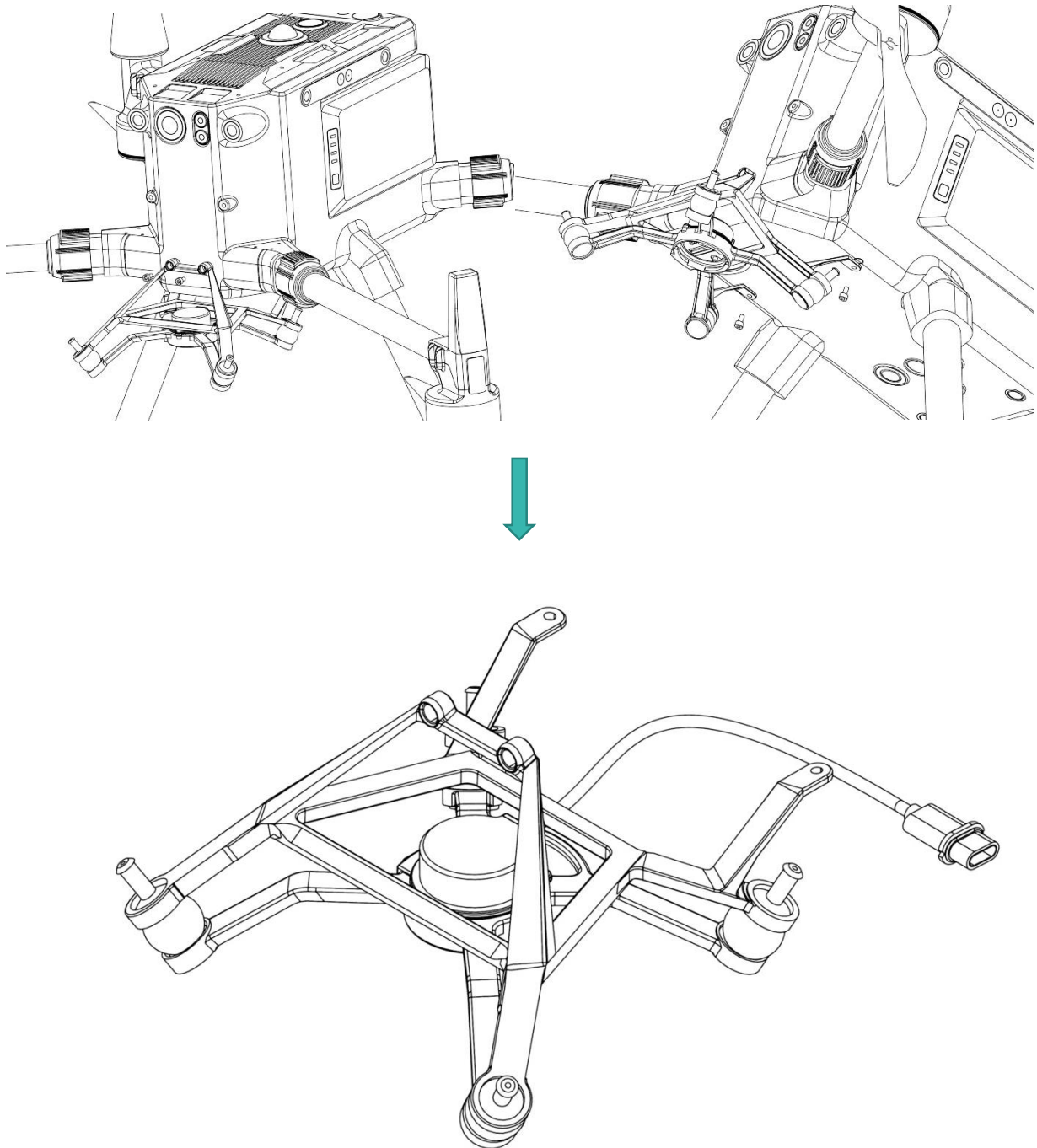
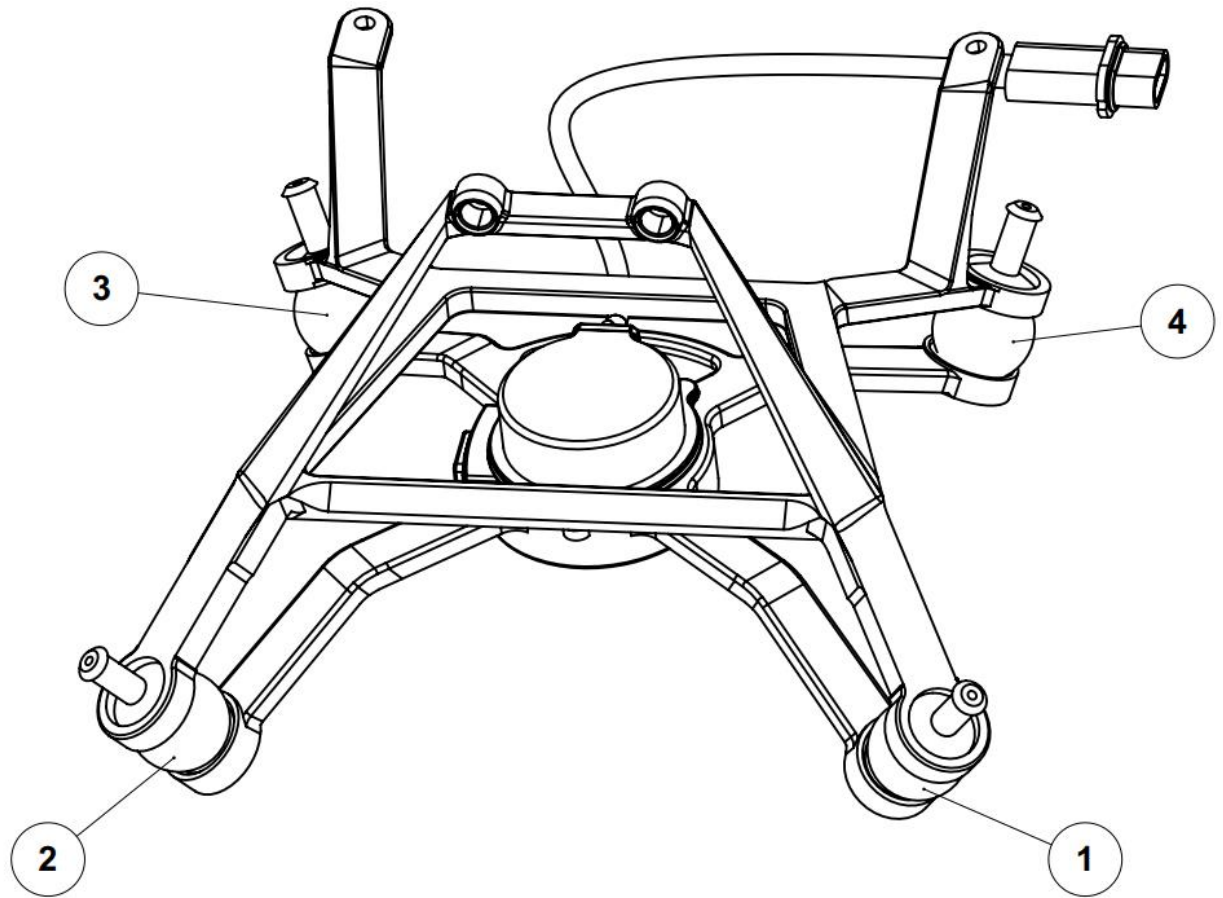


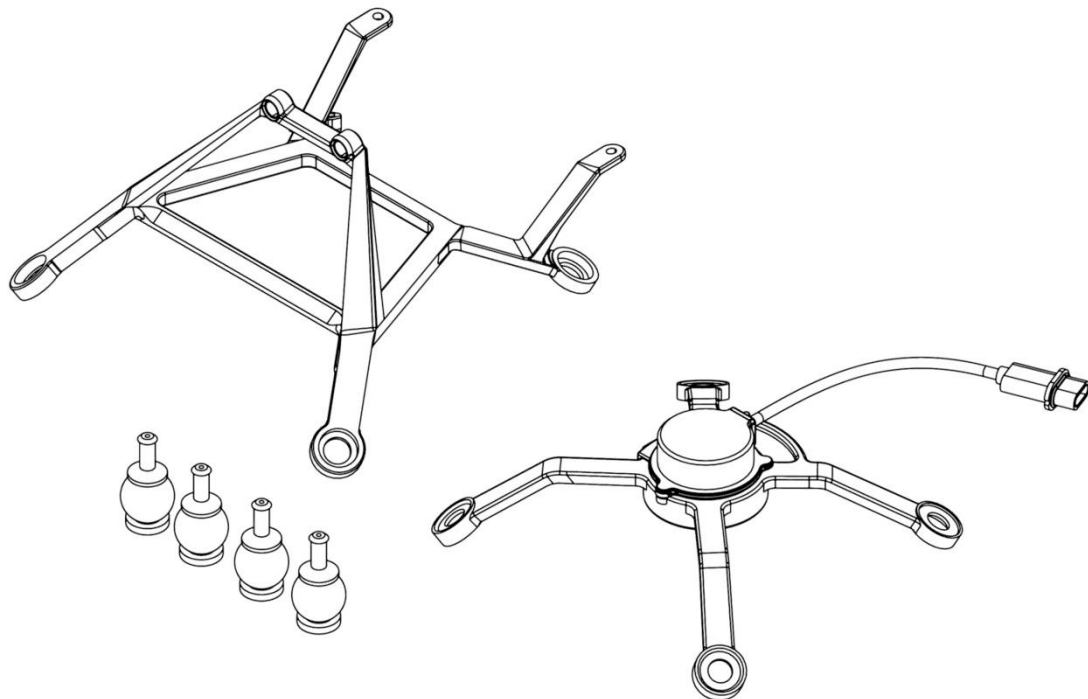
Fig 1. The standard damping after separation



STEP 2: Note the marked position of the standard damping as below.

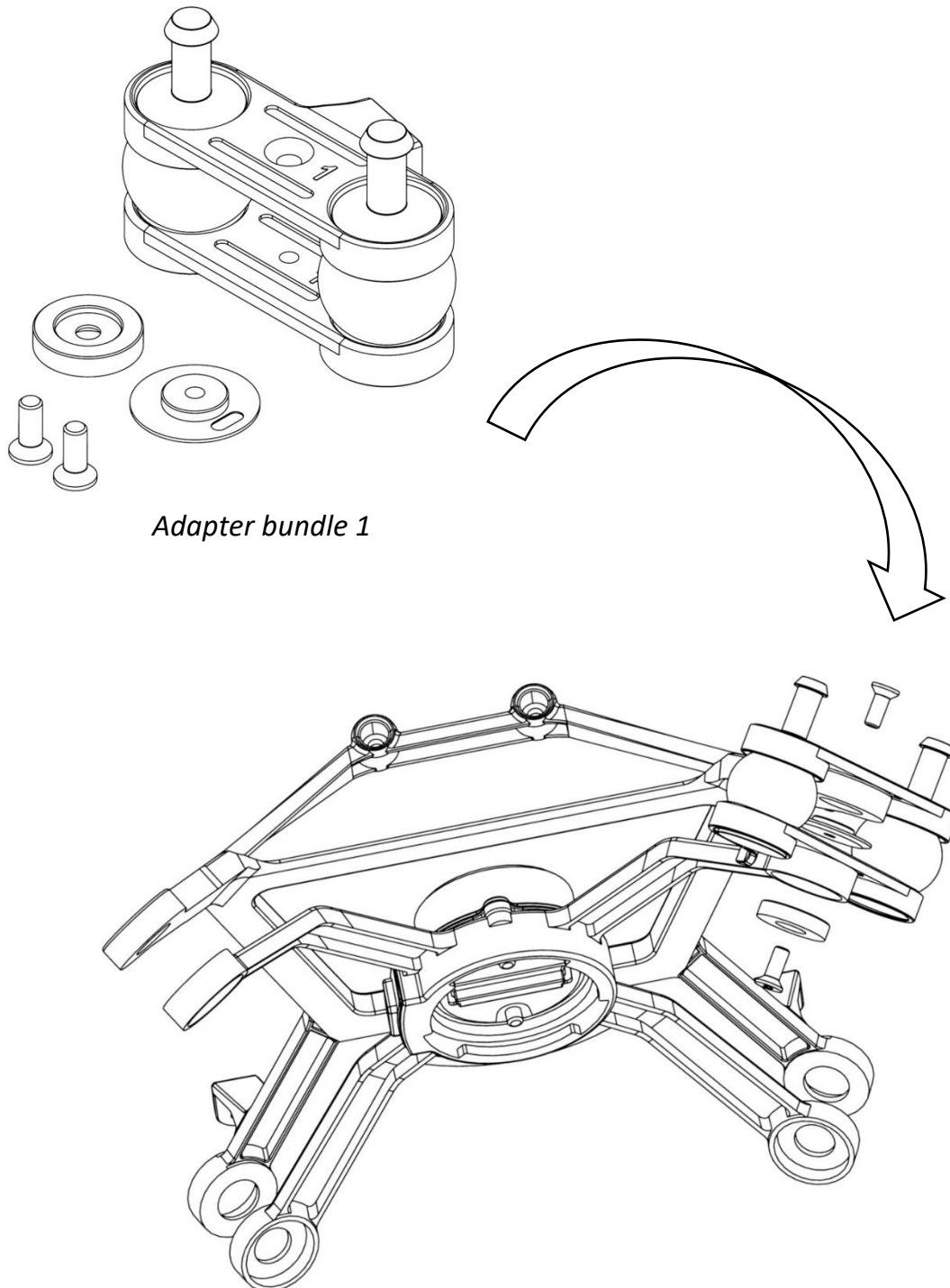


STEP 3: Remove silicone balls from the standard damping



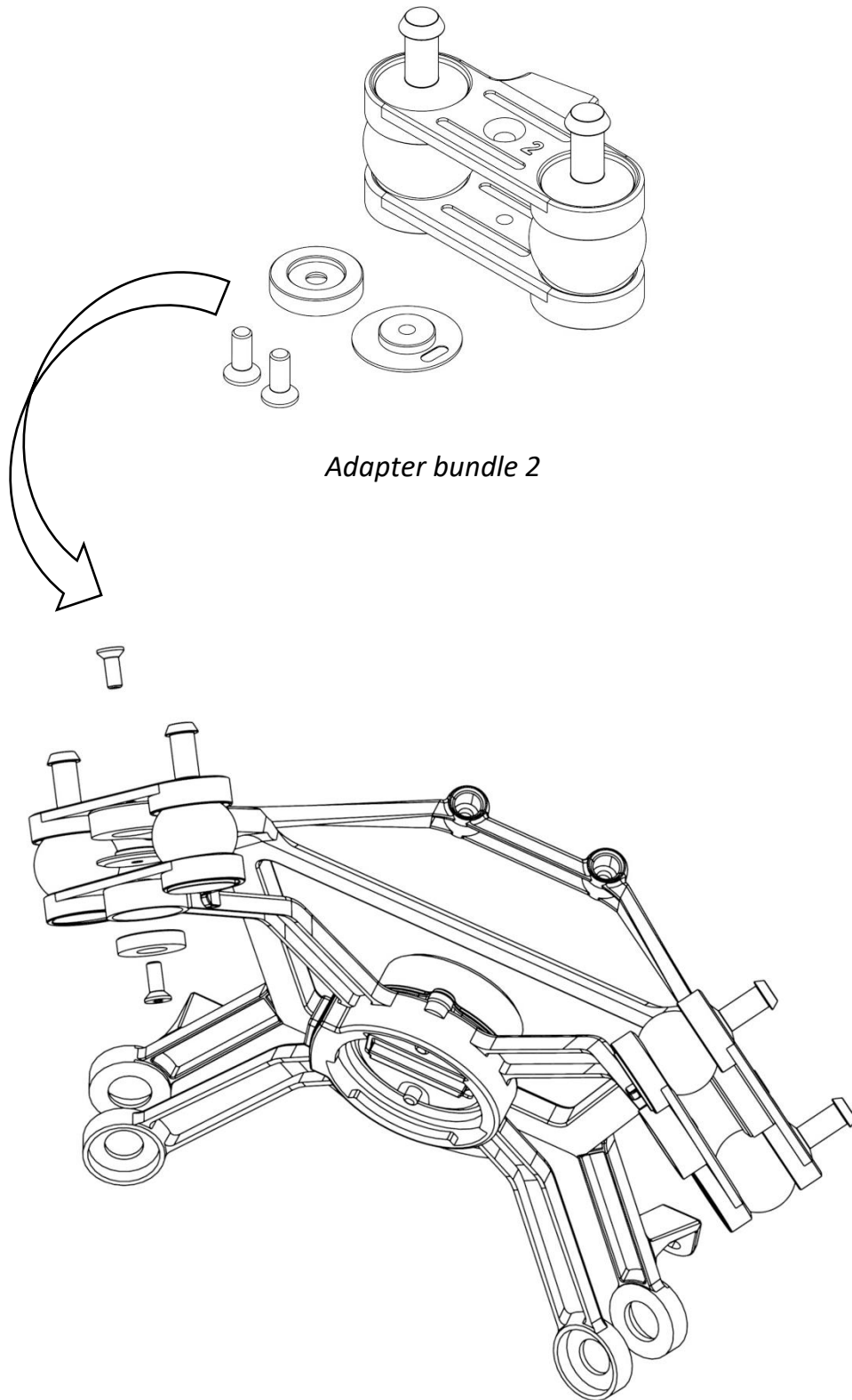


STEP 4: Assemble the “adapter bundle 1” into the “position 1” as marked in step 2



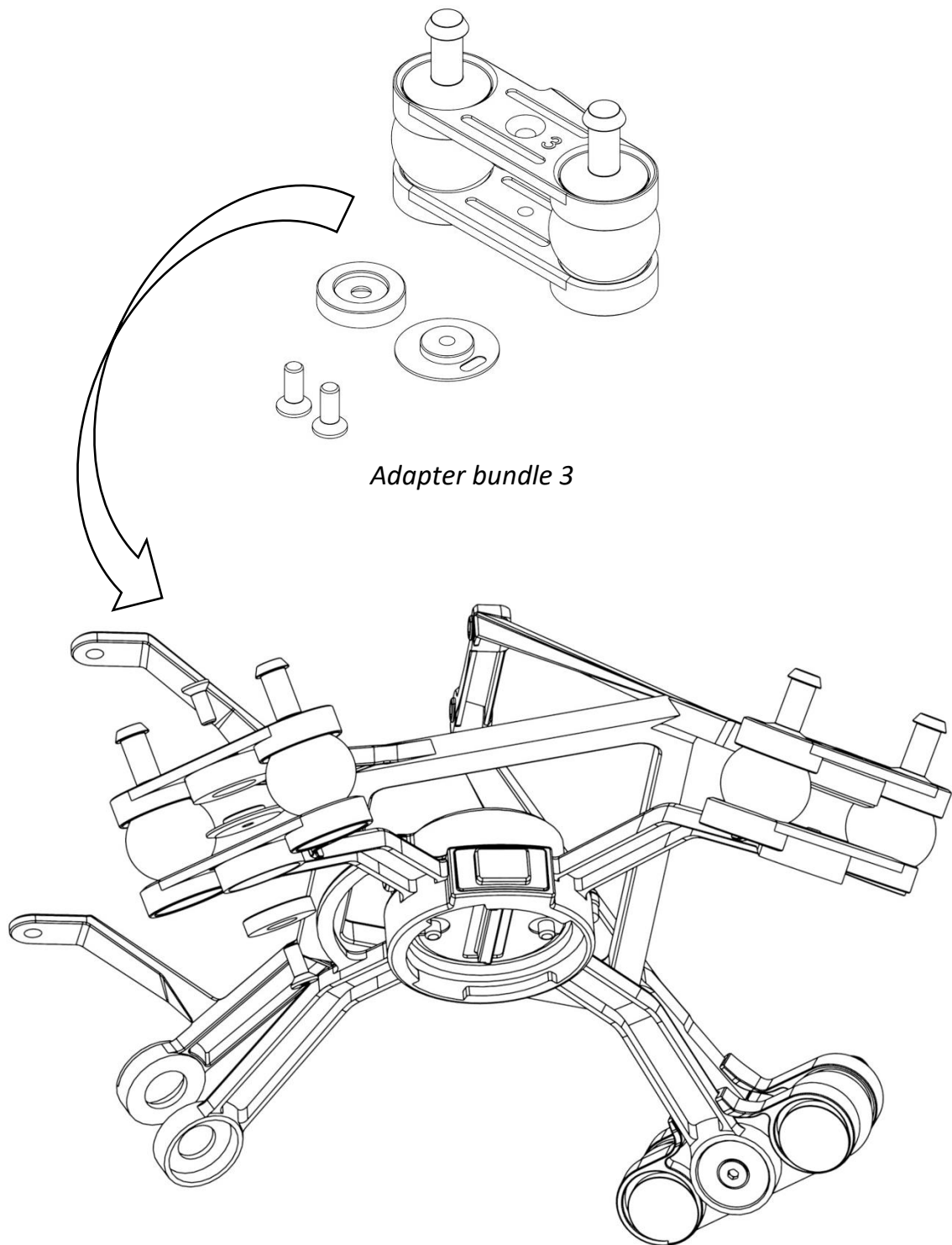


STEP 5: Assemble the “adapter bundle 2” into the “position 2” as marked in step 2



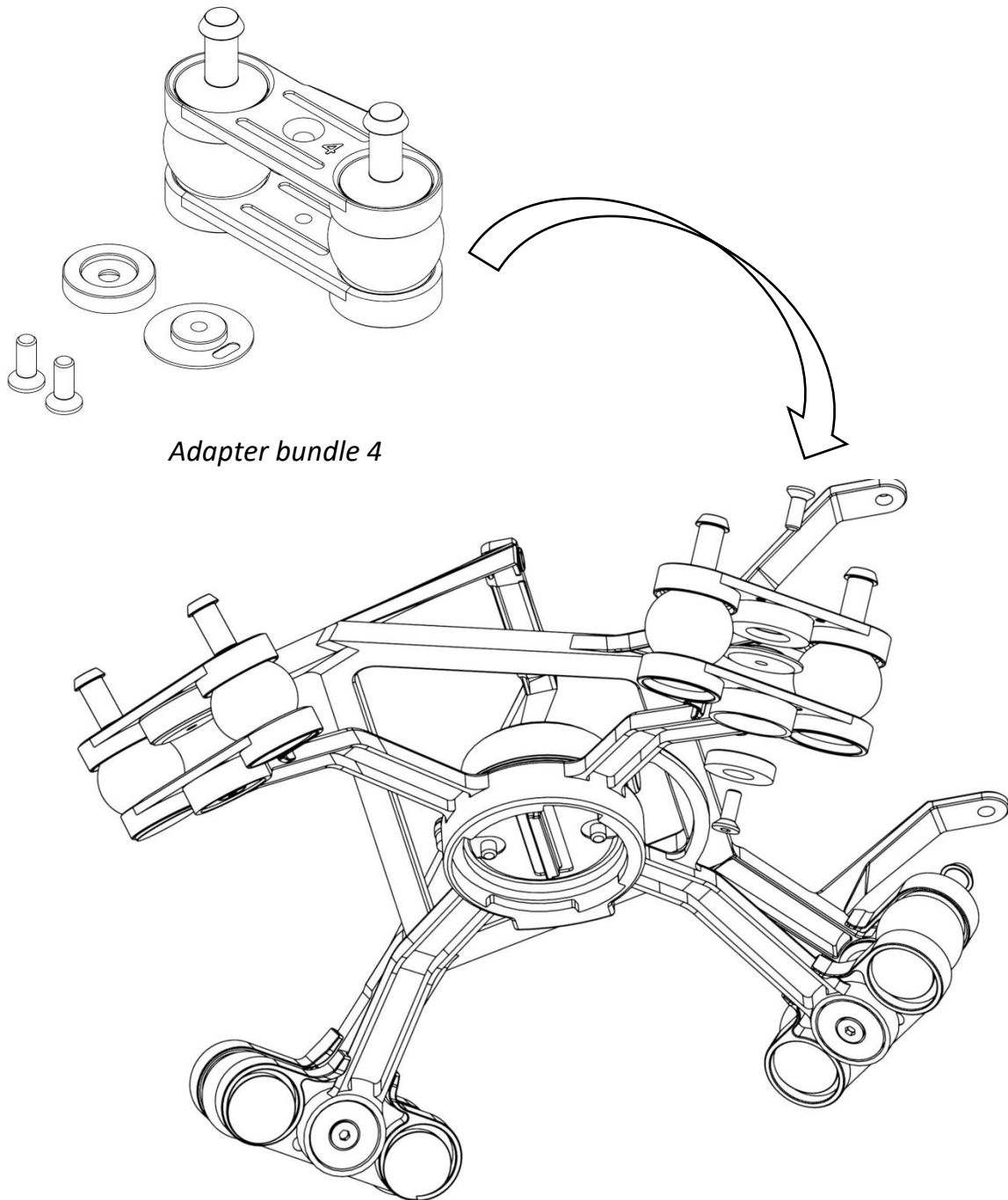


STEP 6: Assemble the “adapter bundle 3” into the “position 3” as marked in step 2



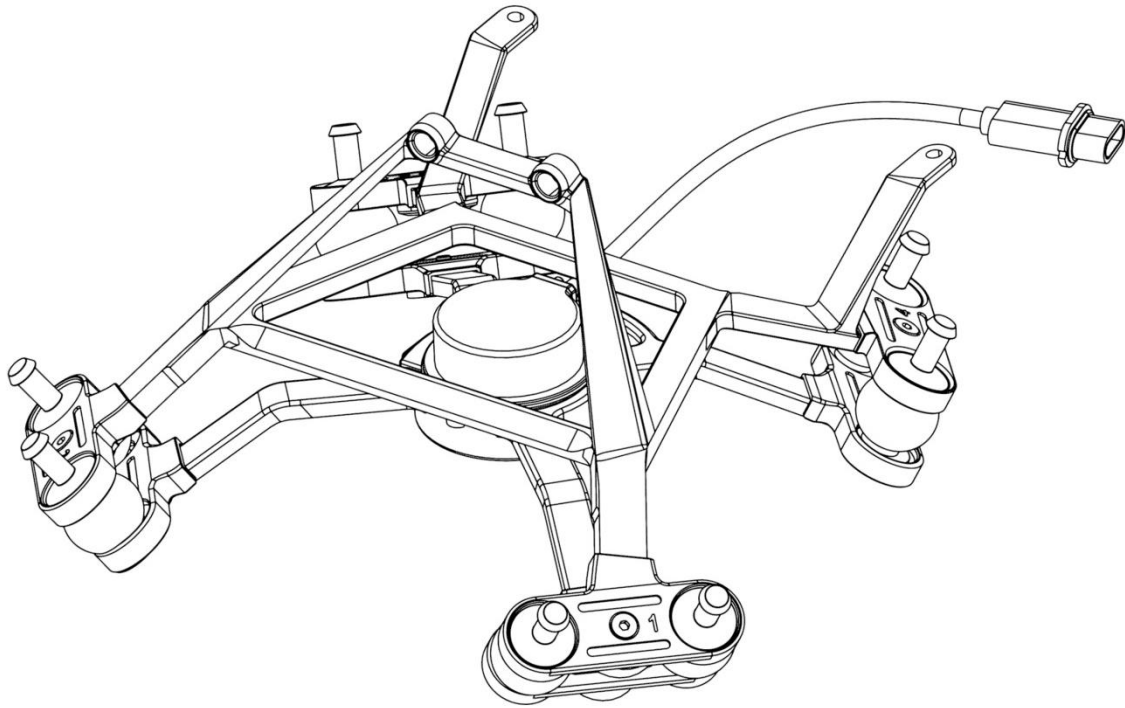


STEP 7: Assemble the “adapter bundle 4” into the “position 4” as marked in step 2





STEP 8: Complete the damping for gPort & Pixy WS



STEP 9: Mount the damping on M300 RTK and ready for use with gPort & Pixy WS

